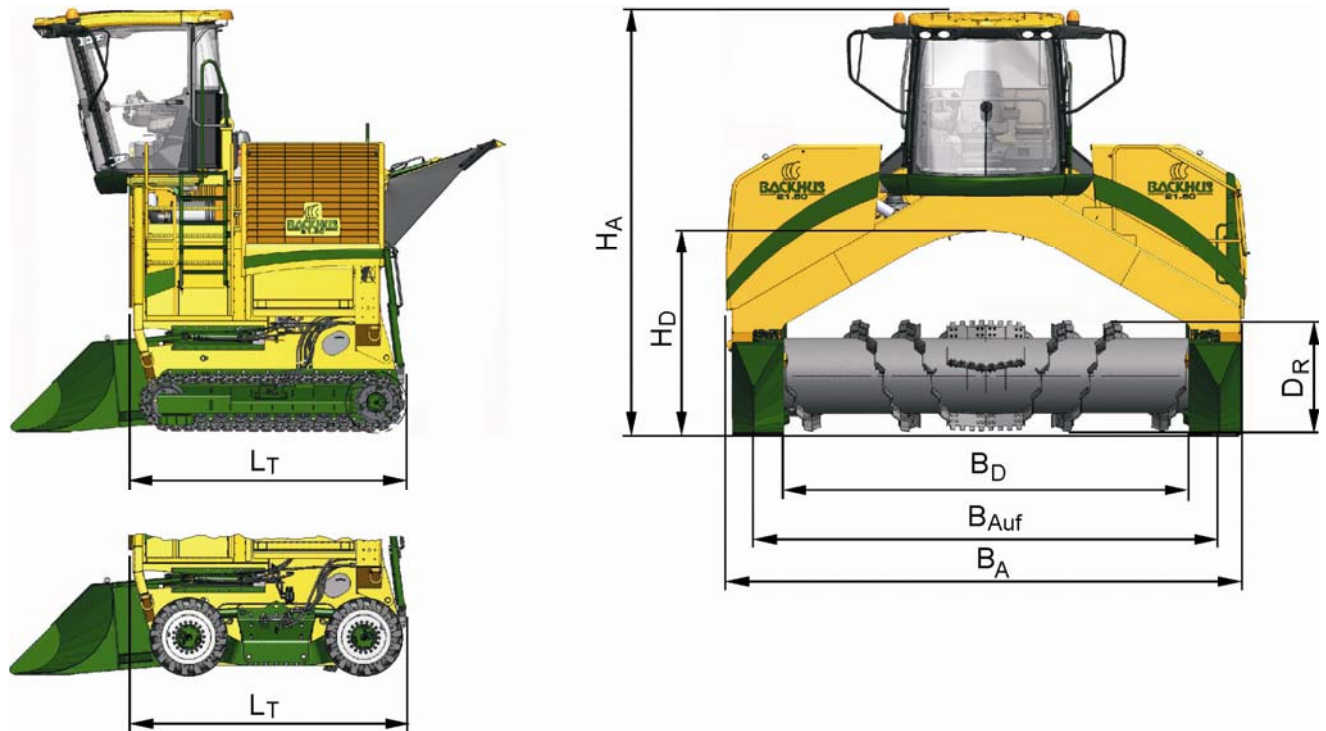


Specification sheet


BACKHUS 21-series		21.43	21.50	21.55	21.60
Working data					
Heap width up to	B _{Auf}	14'-1"	16'-5"	18'-3"	19'-8"
Heap height up to		6'-11"	7'-10"	8'-3"	8'-6"
Heap cross section*	yd ²	5.5	7.4	9.0	8,9
Surface utilization*	yd ³ /yd ²	1.17	1.37	1.49	1.61
Width track clearer		2x 12 ½"			
Clearing share*		2.2%	1.6%	1.4%	1.1%
Longitudinal heap displacement approx.		8'			
Displacement capacity up to**	yd ³ /h	3,700	4,700	5,200	6,000
Rotor torque	lbf ft	5,500	6,800	9,300	
Rotor rotation speed	RPM	240	230		
Number of throwing tools		40	56	60	72
Number of lateral canted tools		4	8	12	
Number of throwing rakes			8	12	
Dimensions - work					
Rotor diameter	D _R	3'-4"	3'-11"		
Width	B _A	16'-5"	18'-8"	20'-4"	21'-12"
Height	H _A	14'-3"	15'-3"	15'-7"	15'-11"
Clearance width	B _D	12'-3"	14'-6"	16'-3"	17'-10"
Clearance height	H _D	6'-11"	7'-3"	7'-6"	7'-10"
Ground clearance caterpillar track drives max.	H _F	1'-6"	1'-2"		
Ground clearance wheel drives max.	H _F	2'-1.6"	1'-1.8"		
Dimensions - transport					
Length**	L _T	9'-9.3"			
Width**	B _T	26'-3"	28'-7"	30'-3"	
Height**	H _T	10'-4"		11'-2"	
Weight approx.**	lbs	28,800	33,200	35,400	37,600

NOTE:

* AT A DUMPING ANGEL OF 45°

** VALUES MAY DIFFER DEPENDING ON THE OPTIONS SELECTED.

ALL INFORMATION IN THIS DOCUMENT IS SUBJECT TO CHANGE WITHOUT NOTICE. OBSERVE PROTECTION NOTICE IN ACCORDANCE WITH ISO 16016. (ISO 16016 : 2000 TECHNICAL PRODUCT DOCUMENTATION – PROTECTION NOTICES FOR RESTRICTING THE USE OF DOCUMENTS AND PRODUCTS)

BACKHUS		21.43	21.50	21.55	21.60
Engine		Cummins Turbo-Diesel Water cooled			
Type		QSB 6.7-C205	QSC 8.3-C280		QSL 9-C325
Cylinder		6			
Cubic capacity	I	6,7	8,3	8,9	
Nominal capacity	HP	205	280	325	
	RPM	@ 1,800	@ 2,100	@ 2,100	
Maximum capacity	HP	205	302	350	
	RPM	@ 1,800	@ 1,900	@ 1,900	
Max. torque	lbf ft	685	1,000	1,050	
	RPM	@ 1,300	@ 1,500	@ 1,500	
Three-phase generator	V / A	24 / 70	24 / 100		
Battery	V / Ah	2x12 / 143			
Fuel tank	I	250	370		

Frame

Box construction height adjustable
Corrosion-resistant 2-color lacquer coating
RAL1004 golden yellow and RAL6029 mint green
Steel surfaces (except wear areas)
Sa 2 1/2 blasted with DIN EN ISO 12944-4
Coating in accordance with DIN EN ISO 12944-5
Category C2
Coat thickness 120µm

Engine

High-power CUMMINS-Diesel engine
Exhaust gas certification level:
III A (EuroMot) / Tier 3 (U.S. EPA/CARB)
4-valve technology
Common Rail fuel injection system
Waste gas turbocharger
Charge air cooling
Electronic engine management

Flexible engine mounting
Intake air pre-filter
Side-by-side cooling system with large mesh size
Reversion of maximum air flow in both directions
Pre-cleaning cooling air
Engine hood can be opened widely

Undercarriage

compact caterpillar track drives with rubber-lined track shoes
independent hydraulic drives in closed circuit, infinitely
variable adjustable

OPTION

4-WD (4x4)
Left and right side independent hydraulic drives in closed
circuit, infinitely variable adjustable

Rotor

Hydraulic drive in closed circuit
RPM adjustable and reversible under load
Infinitely variable adjustable in height under load
Rotor height indicator

Screwed tools

Easily and quickly exchangeable

Throwing rake

For best possible heap arrangement

Hydraulic rear flap

Track clearer

Independently hydraulically height adjustable
Automatic ground contour adaptation

Hydraulics

Hydraulic oil cooler with reversion of maximum air flow in both
directions

Reflux suction filtration with fiber glass filter cells

Electric level and filter monitoring

Magnetic valve with LED-performance indicator

Panorama-ease and convenience cabin

Adjustable spring born seat for driver

Arm rests with operating elements

CD/MP3/radio mounting kit with 2 stereo loudspeakers

Cabin filter according to G4 (EU4)

According to DIN EN 779 (DIN 24 185)

Warm water heating with three-stage ventilation

Air-conditioning system

Side window can be opened

Sun protection front and back

Electrical equipment

4 halogen head lights, in the front roof of the cabin

2 halogen head lights, in the rear roof of the cabin

Rotating beacon

Machine monitoring

With visual and acoustic warning

Acoustic operation warning

Acoustic back up warning

Delivery accessories

Amply access and railing

Dismountable tool box

Machine control

BACKHUS-Track-Control (BTC)

Load depending track drive control with limited control
(overload control function)

Automatic drive with precise control